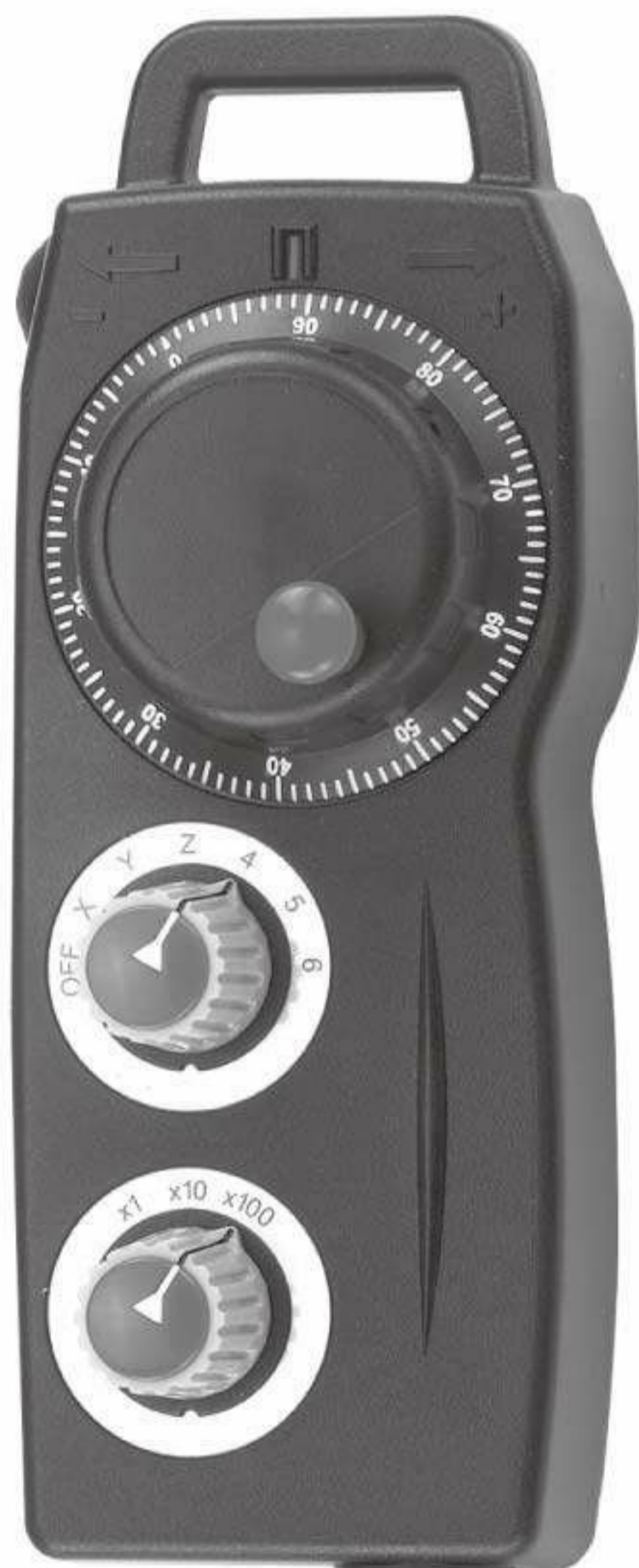


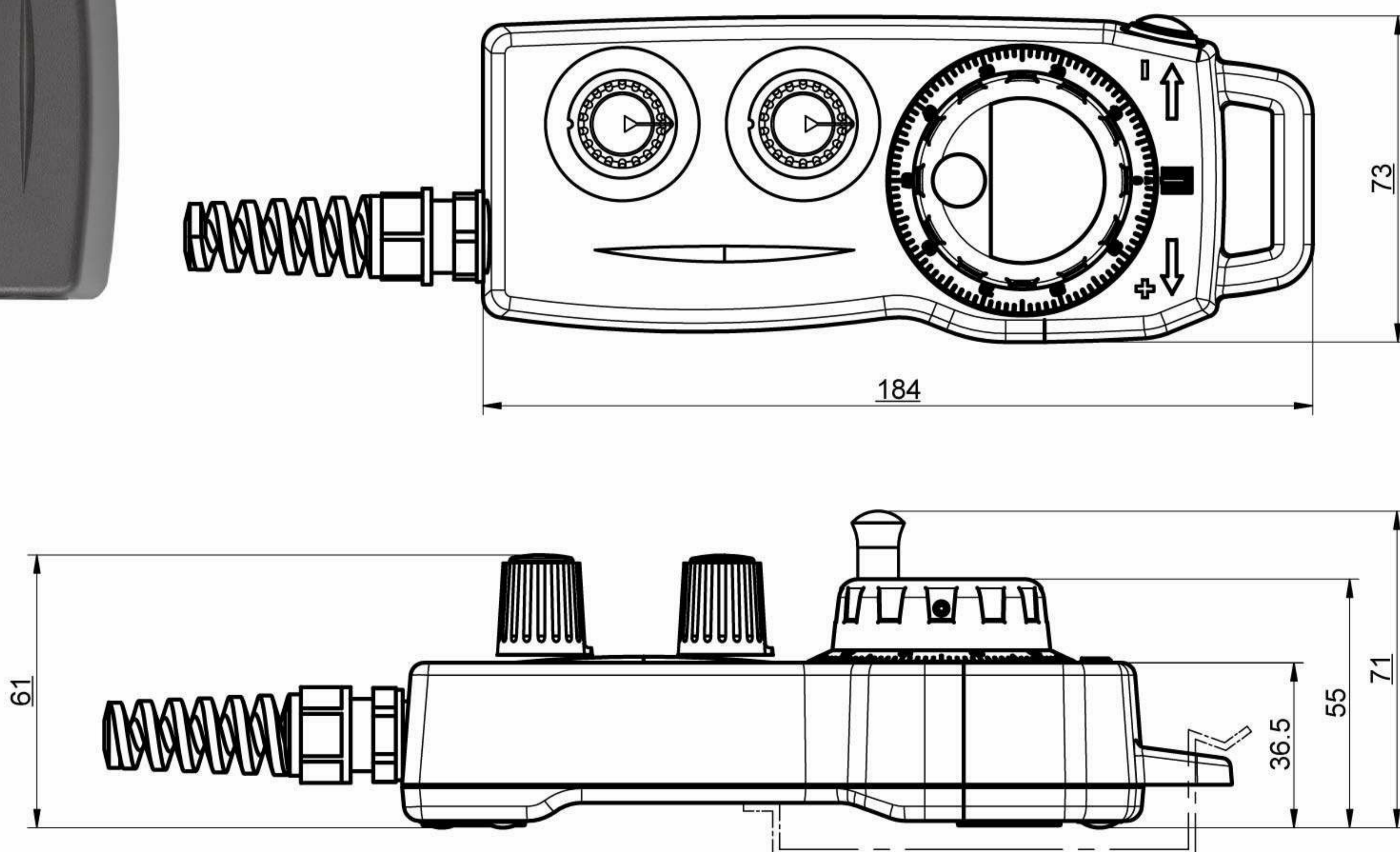
**ORDERING INFORMATION :**

**EHDW-B~C SERIES ORDERING INFORMATION**

<b>EHDW</b>	<b>B</b>	<b>A</b>	<b>4</b>	<b>S</b>	<b>I</b>	<b>M</b>																																																																																												
<b>SERIES NAME</b>	<b>MODEL</b>	<b>TYPE</b>	<b>STEPS NUMBER</b>	<b>CABLE LENGTH</b>	<b>LED LAMP</b>	<b>MAGNET</b>																																																																																												
<b>EHDW</b>	<table border="1"> <tr> <th rowspan="2">MODEL</th> <th colspan="2">OPTIONAL</th> </tr> <tr> <th>BOX</th> <th>PBI</th> </tr> <tr> <td>B</td> <td>●</td> <td></td> </tr> <tr> <td>C</td> <td>●</td> <td>●</td> </tr> </table>	MODEL	OPTIONAL		BOX	PBI	B	●		C	●	●	<table border="1"> <thead> <tr> <th rowspan="2">TYPE</th> <th colspan="3">SPECIFICATION</th> </tr> <tr> <th>DC POWER</th> <th>PULSE</th> <th>OUTPUT TYPE</th> </tr> </thead> <tbody> <tr><td>A</td><td>5V</td><td>100PPR</td><td>R330</td></tr> <tr><td>B</td><td>5V</td><td>25PPR</td><td>R330</td></tr> <tr><td>C</td><td>12V</td><td>100PPR</td><td>R2.0K</td></tr> <tr><td>D</td><td>12V</td><td>25PPR</td><td>R2.0K</td></tr> <tr><td>E</td><td>5V</td><td>100PPR</td><td>DIFF</td></tr> <tr><td>F</td><td>5V</td><td>25PPR</td><td>DIFF</td></tr> <tr><td>G</td><td>24V</td><td>100PPR</td><td>R2.0K</td></tr> <tr><td>H</td><td>24V</td><td>25PPR</td><td>R2.0K</td></tr> </tbody> </table>	TYPE	SPECIFICATION			DC POWER	PULSE	OUTPUT TYPE	A	5V	100PPR	R330	B	5V	25PPR	R330	C	12V	100PPR	R2.0K	D	12V	25PPR	R2.0K	E	5V	100PPR	DIFF	F	5V	25PPR	DIFF	G	24V	100PPR	R2.0K	H	24V	25PPR	R2.0K	<table border="1"> <thead> <tr> <th rowspan="2">NUMBER</th> <th>ROTARY SWITCH STEPS</th> </tr> </thead> <tbody> <tr><td>2</td><td>2AXES</td></tr> <tr><td>3</td><td>3AXES</td></tr> <tr><td>4</td><td>4AXES</td></tr> <tr><td>5</td><td>5AXES</td></tr> <tr><td>6</td><td>6AXES</td></tr> <tr><td>A</td><td>BIN 3AXES</td></tr> <tr><td>B</td><td>BIN 4AXES</td></tr> <tr><td>C</td><td>BIN 5AXES</td></tr> <tr><td>D</td><td>BIN 6AXES</td></tr> <tr><td>E</td><td>BIN 7AXES</td></tr> <tr><td>F</td><td>BIN 8AXES</td></tr> <tr><td>G</td><td>BIN 9AXES</td></tr> <tr><td>H</td><td>BIN10AXES</td></tr> <tr><td>I</td><td>BIN11AXES</td></tr> </tbody> </table>	NUMBER	ROTARY SWITCH STEPS	2	2AXES	3	3AXES	4	4AXES	5	5AXES	6	6AXES	A	BIN 3AXES	B	BIN 4AXES	C	BIN 5AXES	D	BIN 6AXES	E	BIN 7AXES	F	BIN 8AXES	G	BIN 9AXES	H	BIN10AXES	I	BIN11AXES	<table border="1"> <thead> <tr> <th colspan="2">CABLE LENGTH</th> </tr> </thead> <tbody> <tr><td>S</td><td>3M</td></tr> <tr><td>L</td><td>5M</td></tr> </tbody> </table>	CABLE LENGTH		S	3M	L	5M	<table border="1"> <thead> <tr> <th>LED LAMP</th> </tr> </thead> <tbody> <tr><td>LED LAMP</td></tr> <tr><td>LED LAMP</td></tr> </tbody> </table>	LED LAMP	LED LAMP	LED LAMP	<table border="1"> <thead> <tr> <th>MAGNET</th> </tr> </thead> <tbody> <tr><td>MAGNET</td></tr> <tr><td>MAGNET</td></tr> </tbody> </table>	MAGNET	MAGNET	MAGNET
MODEL	OPTIONAL																																																																																																	
	BOX	PBI																																																																																																
B	●																																																																																																	
C	●	●																																																																																																
TYPE	SPECIFICATION																																																																																																	
	DC POWER	PULSE	OUTPUT TYPE																																																																																															
A	5V	100PPR	R330																																																																																															
B	5V	25PPR	R330																																																																																															
C	12V	100PPR	R2.0K																																																																																															
D	12V	25PPR	R2.0K																																																																																															
E	5V	100PPR	DIFF																																																																																															
F	5V	25PPR	DIFF																																																																																															
G	24V	100PPR	R2.0K																																																																																															
H	24V	25PPR	R2.0K																																																																																															
NUMBER	ROTARY SWITCH STEPS																																																																																																	
	2	2AXES																																																																																																
3	3AXES																																																																																																	
4	4AXES																																																																																																	
5	5AXES																																																																																																	
6	6AXES																																																																																																	
A	BIN 3AXES																																																																																																	
B	BIN 4AXES																																																																																																	
C	BIN 5AXES																																																																																																	
D	BIN 6AXES																																																																																																	
E	BIN 7AXES																																																																																																	
F	BIN 8AXES																																																																																																	
G	BIN 9AXES																																																																																																	
H	BIN10AXES																																																																																																	
I	BIN11AXES																																																																																																	
CABLE LENGTH																																																																																																		
S	3M																																																																																																	
L	5M																																																																																																	
LED LAMP																																																																																																		
LED LAMP																																																																																																		
LED LAMP																																																																																																		
MAGNET																																																																																																		
MAGNET																																																																																																		
MAGNET																																																																																																		



**EHDW-B~C EXTERNAL DIMENSIONS**



NET WEIGHT : 700G

Unit:mm

Distributor: